



School Schloß Holte



pic 1: main entrance



pic 2: west view



pic 3: main entrance in the evening

City:
Stukenbrock

Country:
Germany

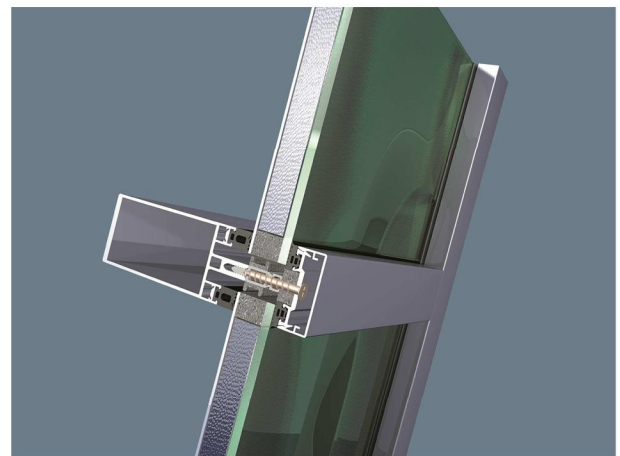
Kind of construction:
School

Year of construction:
2006

Application of vacuum insulation panels:
VACUPOR® NT 20mm – façade elements

Planning and Handling of VIPs:
Schüco International KG

VACUPOR® vacuum insulation panels have been used in prefabricated façade elements with insulated glass character, for a slim design and very high insulation rate.



pic 4: exemplary structure

Sources:
pic 1, 2, 3, 4; Schüco International KG