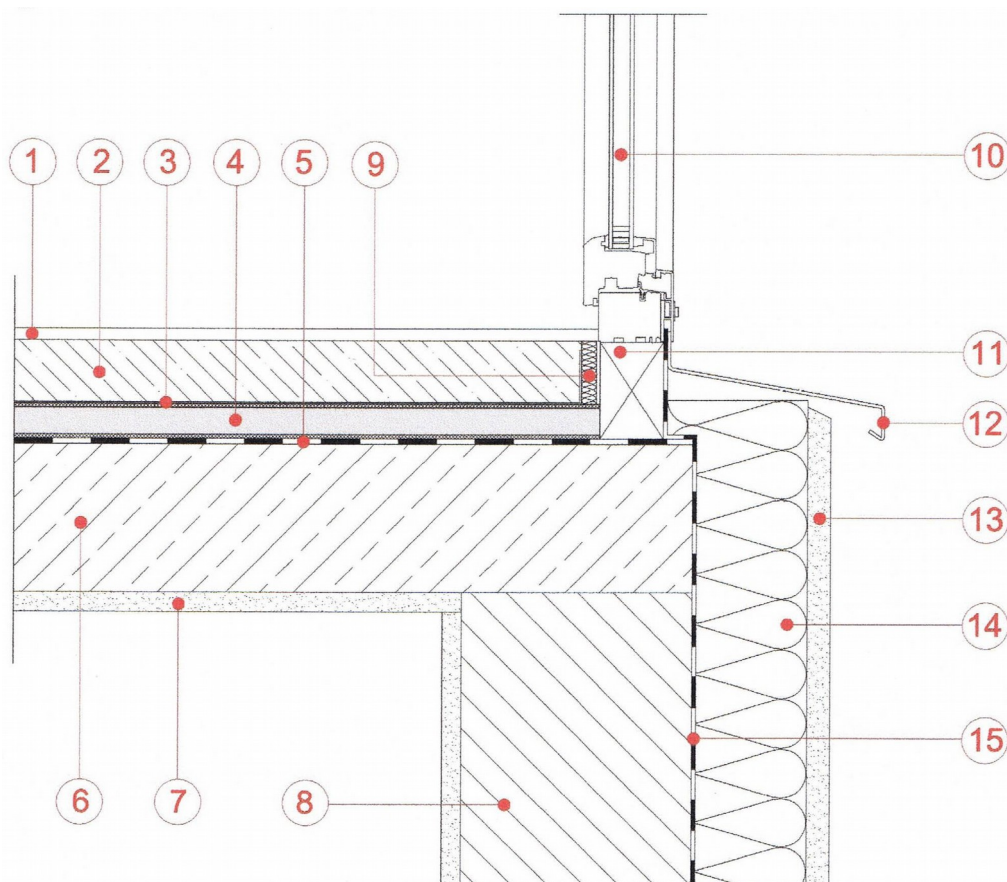


## **Product – Vacupor® RP2-B2**

### **Insulation to Typical Basement**

- |                      |                       |
|----------------------|-----------------------|
| 1 – Floor Covering   | 9 – Edge Insulation   |
| 2 – Screed           | 10 – Window           |
| 3 – Separation Layer | 11 – Supporting Frame |
| 4 – Vacupor® RP2-B2  | 12 – Window Cill      |
| 5 – Vapour Barrier   | 13 – Render System    |
| 6 – Concrete         | 14 – Insulation       |
| 7 – Plaster Board    | 15 – Vapour Barrier   |
| 8 – Blockwork        |                       |



The sketches above and their related descriptions are typical representations only. All designs must be carried out for a specific project and should be cleared by the final client or their representatives with either Building Control or the relevant authorities.

#### **For Further Information Contact:**

Vacutherm, Ltd, Brayton Domain,  
Aspatria, Wigton,  
Cumbria, CA7 2BD  
Email: [office@vacutherm.co.uk](mailto:office@vacutherm.co.uk)  
Web: [www.vacutherm.co.uk](http://www.vacutherm.co.uk)