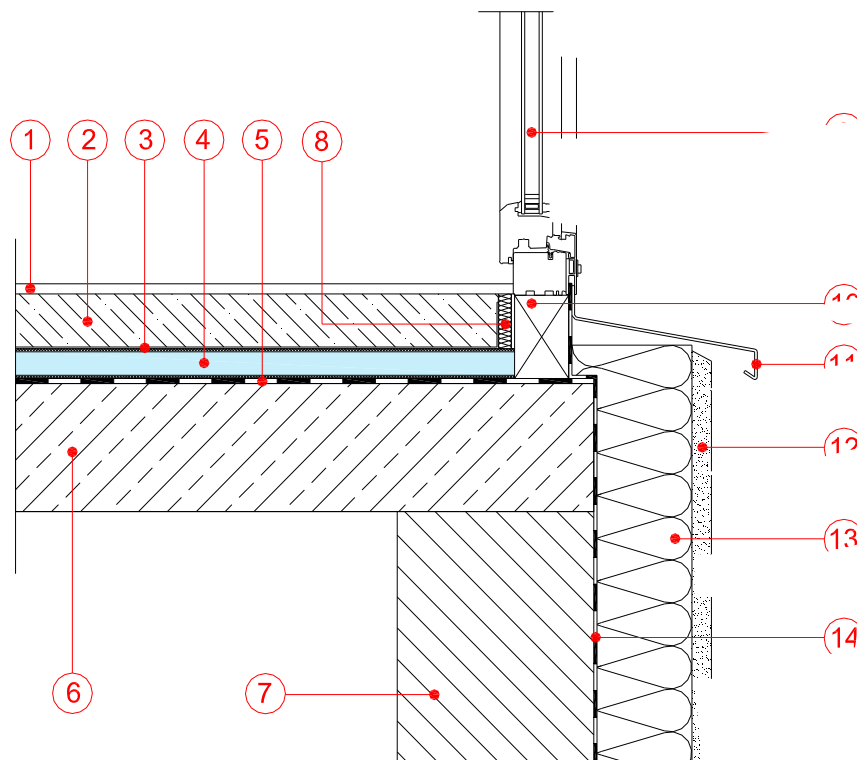


## **Product – Vacupor® RP2-B2 or NT**

### **Insulation to Ground Floor – Screed**

- |                           |                       |
|---------------------------|-----------------------|
| 1 – Floor Covering        | 8 – Edge Insulation   |
| 2 – Screed                | 9 – Window            |
| 3 – Separation Layer      | 10 – Supporting Frame |
| 4 – Vacupor® RP2-B2 or NT | 11 – Window Cill      |
| 5 – Vapour Barrier        | 12 – Render System    |
| 6 – Concrete              | 13 – Insulation       |
| 7 – Blockwork             | 14 – Vapour Barrier   |



The sketches above and their related descriptions are typical representations only. All designs must be carried out for a specific project and should be cleared by the final client or their representatives with either Building Control or the relevant authorities.

#### **For Further Information Contact:**

Vacutherm Ltd, Brayton Domain,  
Aspatria, Wigton,  
Cumbria, CA7 2BD  
Email: [office@vacutherm.co.uk](mailto:office@vacutherm.co.uk)  
Web: [www.vacutherm.co.uk](http://www.vacutherm.co.uk)