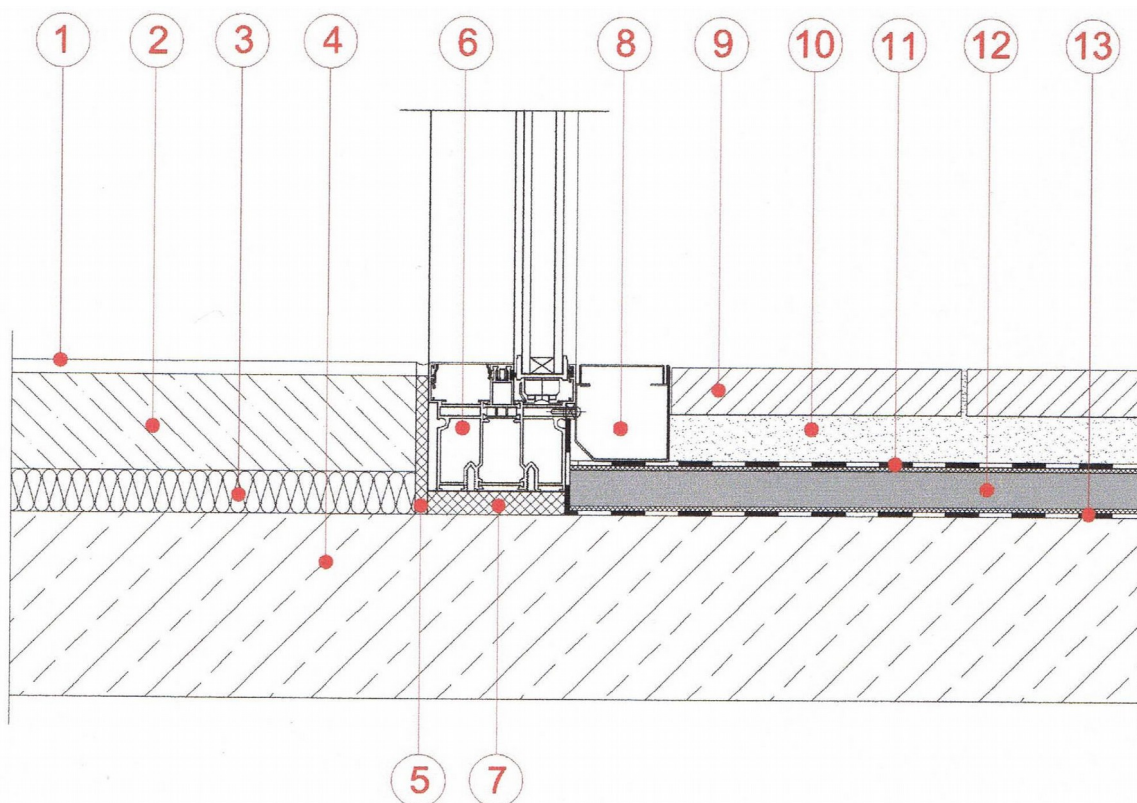


Product – Vacupor® RP2-B2 or Vacuspeed

Insulation on First Floor Patio

- | | |
|-------------------------------|----------------------|
| 1 – Floor Covering | 8 – Drainage Channel |
| 2 – Screed | 9 – Terrace Covering |
| 3 – Internal Floor Insulation | 10 – Sand Bedding |
| 4 – Concrete | 11 – Rubber Covering |
| 5 – Edge Insulation Strip | 12 – Vacupor® RP2-B2 |
| 6 – Window Frame | 13 – Vapour Barrier |
| 7 – Thermal Break Insulation | |



The sketches above and their related descriptions are typical representations only. All designs must be carried out for a specific project and should be cleared by the final client or their representatives with either Building Control or the relevant authorities.

For Further Information Contact:

Vacutherm Ltd, Brayton Domain,
Aspatria, Wigton,
Cumbria, CA7 2BD
Email: office@vacutherm.co.uk
Web: www.vacutherm.co.uk